



Cover 1:  
Anya Natural

Mid Oak  
Feet

# Austin Collection

Colours represented are to be used as a guide only.  
Please refer to manufacturers swatch for a more accurate colour match.

Please note that colour shadings can vary slightly from each roll of fabric.  
We cannot guarantee a precise match to these samples or between cut lengths and upholstered goods.

foamflex™  
Award Winning Seating Technology

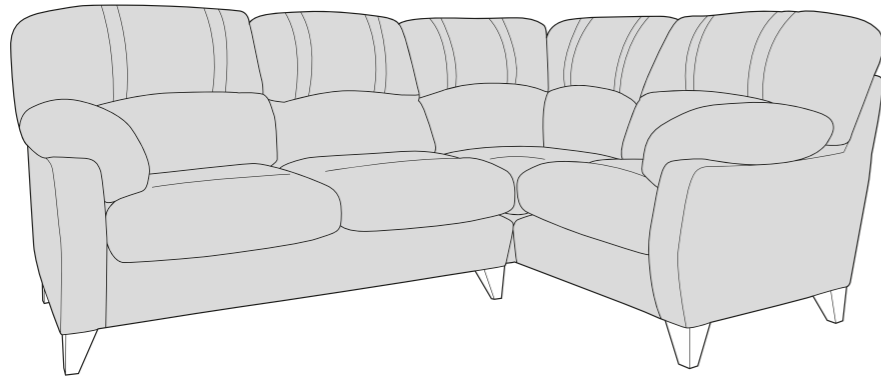
23/01/2020

# AUSTIN COVER GUIDE - STANDARD BACK

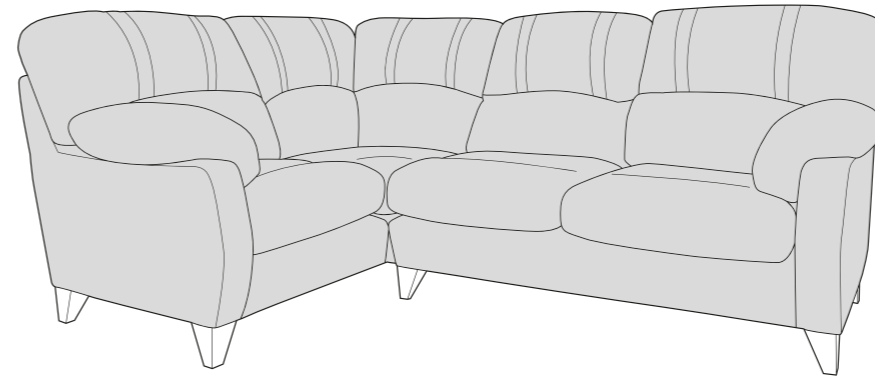
Please use this guide when ordering the following pieces to clarify cover options.

## STANDARD BACK

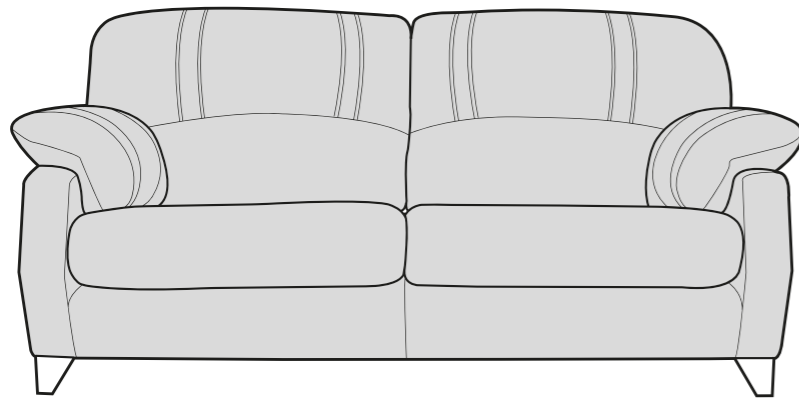
LH2, R2C (L2, R2C) Group



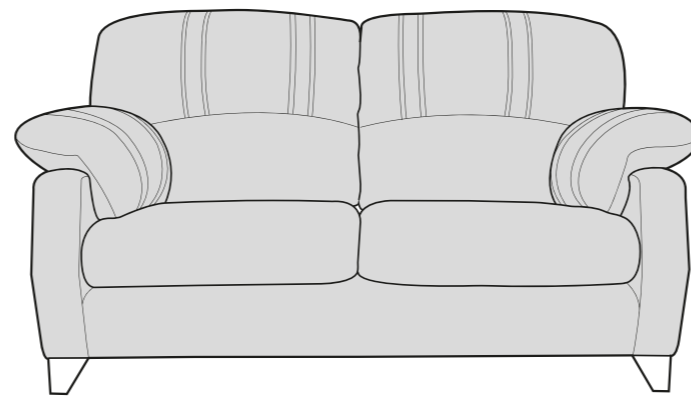
L2C, RH2 (L2C, R2) Group



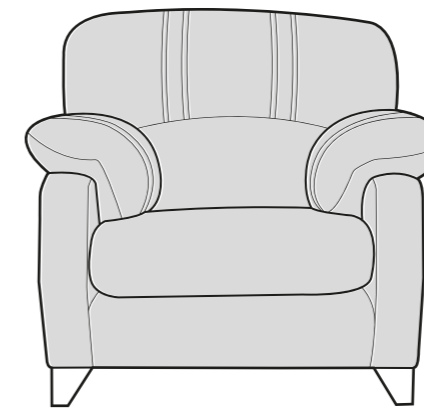
3 Seater sofa (3ST)



2 Seater sofa (2ST)

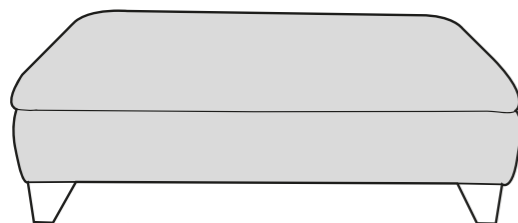


Arm Chair (1ST)



## ACCENT PIECES

Austin Storage Footstool (FSS)



# AUSTIN DIMENSIONS (CM)

AVAILABLE PIECES	HEIGHT 1	OUTBACK HEIGHT	WIDTH 2	DEPTH 3	ARM HEIGHT	SEAT HEIGHT 4	SEAT DEPTH (STD) 5	SEAT WIDTH 6	ACCESS DIAGONAL 7	WEIGHT (KG)	SCATTER CUSHION NO.
LH2, R2C GROUP or L2C, RH2 GROUP	100	81	247	176	69	48	55	N/A	N/A	98.5	N/A
LH2/RH2 UNIT	100	81	149	98	69	48	55	121	173	42.5	N/A
L2C/R2C UNIT	100	81	176	98	69	48	55	105	195	56	N/A
3 SEATER SOFA (3ST)	100	81	187	98	69	48	55	135	207	56.5	N/A
2 SEATER SOFA (2ST)	100	81	160	98	69	48	55	111	184	49	N/A
ARM CHAIR (1ST)	100	81	91	98	69	48	55	40	130	36	N/A
<b>ACCENT PIECES</b>											
STORAGE FOOTSTOOL (FSS)	37	N/A	104	64	N/A	N/A	N/A	N/A	117	21.5	N/A



\* Hardwood & composite board frame.

\* Dowelled, screwed, glued & stapled joinery.

\* Mid Oak & Antique Wood foot options.

\* Award winning foamflex seat interior with 5 year guarantee.

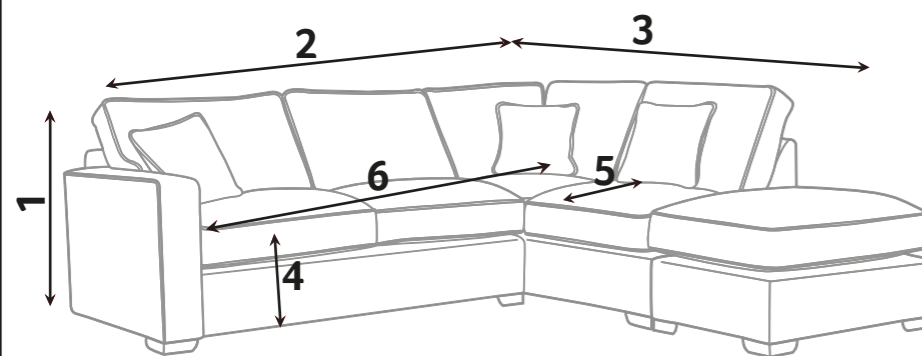
\* Detailed sumptuous fibre backs cushions for added comfort.

\* Super soft filled arm pads for added comfort.

\* Serpentine springs & Silent Wire.

\* Elasticated Back webbing.

## DIMENSION GUIDE



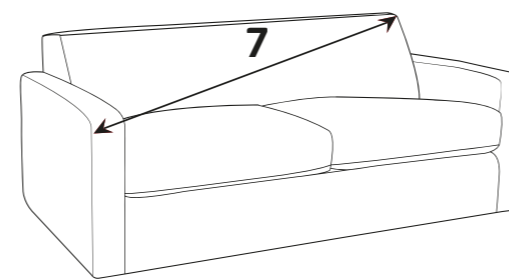
1 - HEIGHT  
2 - WIDTH

3 - DEPTH  
4 - SEAT HEIGHT

5 - SEAT DEPTH (STD & PILLOW)  
6 - SEAT WIDTH

7 - DIAGONAL ACCESS

Check the diagonal access dimension to ensure furniture will fit in your home.



Illustrations used for reference only.

Please note : All dimensions are approximate. Allow tolerance of +/- 2.5cm.

## foamflex™

Our new expertly engineered foam seat interior gives you the comfort of fibre with the retention of foam.

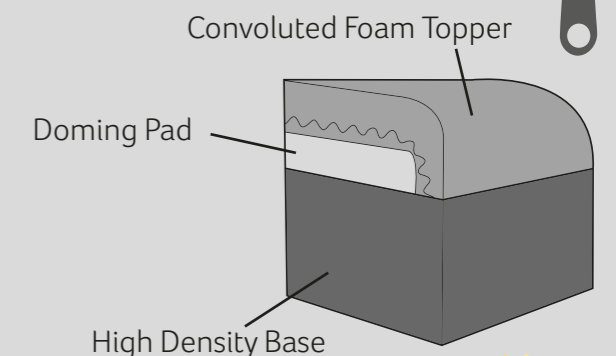
## CARE GUIDE

To improve the longevity of your hand-made furniture, we recommend rotating cushions (where applicable).

For further information on maintaining your furniture, please refer to the Care Guide located under the seat platform.



Our foamflex seat interiors have been granted the FIRA GOLD Award, a mark of quality under-pinning all necessary testing of the product materials, design and production techniques.



FOOT OPTIONS:

Mid Oak



Antique

